

Kwik Frame

Installation Instructions

DOOR LEAF WIDTH

(Number of Horizontals Required and Vertical Spacings)

		6'	7'	8'	9'	10'	12'	14'	16'	18'	20'
DOOR LEAF HEIGHT	8'	2 46"	2 46"	2 46"	2 46"	2 46"	3 31"	3 31"	3 31"	3 31"	4 23"
	10'	3 39"	3 39"	3 39"	3 39"	3 39"	3 39"	3 39"	4 29"	4 29"	5 23"
	12'	4 35"	4 35"	4 35"	4 35"	4 35"	4 35"	4 35"	5 28"	5 28"	6 23"
	14'	4 42"	4 42"	4 42"	4 42"	4 42"	4 42"	4 42"	5 34"	6 28"	7 24"
	16'	5 38"	5 38"	5 38"	5 38"	5 38"	5 38"	5 38"	6 32"	7 27"	8 24"

The same part is used as the top Horizontal and as the intermediate Horizontals.

Approximate door leaf weight (LBS.) with 29 guage steel panel.

		8'	10'	12'	14'	16'	18'	20'
HEIGHT	8'	103	125	163	189	214	239	290
	10'	118	144	186	214	242	294	325
	12'	145	176	208	239	292	349	388
	14'	160	208	246	283	341	405	473
	16'	197	204	284	327	391	460	534
	18'	223	272	321	370	440	515	595
	20'	250	304	359	414	490	547	656

All packages include #235 steel girt 2 Ft. on center.

DOOR GRID ASSEMBLY

1.) Doors should be assembled in a flat area. The horizontals are to be equally spaced. The number required per door and spacing is shown in table. The inside face of the door frame should be assembled first.

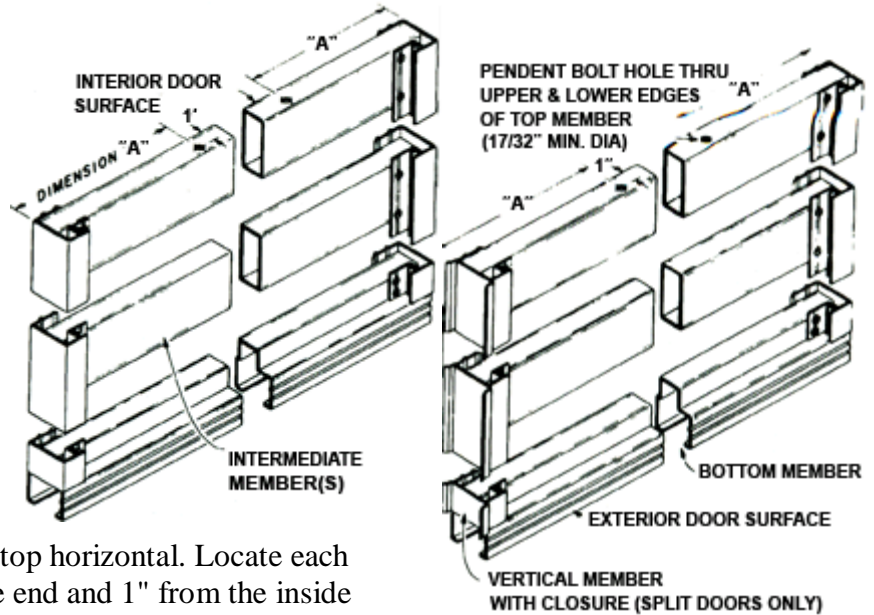
2.) After laying out the horizontal members, locate and drill two (2) 17/32 minimum diameter holes in the top horizontal. Locate each trolley hole at dimension "A" from the end and 1" from the inside face. See chart above for recommended dimension.

3.) With the top, intermediate and bottom horizontals properly fitted and spaced in the verticals, secure the grid at each of the four corners using one (1) #8 self-drilling, self-tapping fastener. The fastener should be located in the extruded pilot groove as shown **Fig. 3**

Square the door grid.

4.) After squaring secure the grid with a second fastener at each of the four corners locating them as shown in **Fig. 4**

5.) Carefully turn the door grid over, recheck for squareness, and repeat the fastening procedures.



Trolley Mounting Hole Locations

8'	9'	10'	12'	14'	16'	18'	20'
1'	1'	1'	2'	2'	2'	2'	2'

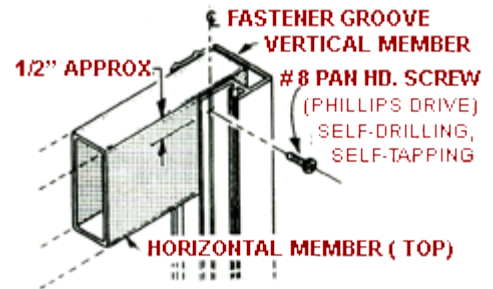


FIGURE 3

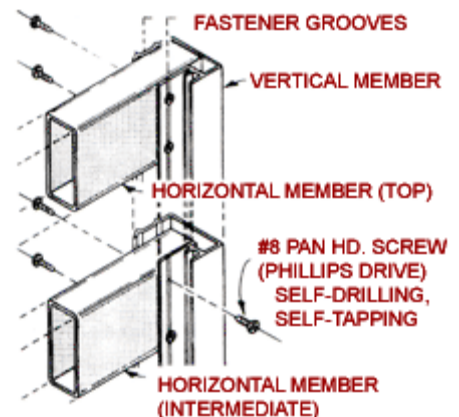


FIGURE 4

6.) Secure all intermediate horizontals with 4 screws/joint (2 per side) See **Fig. 5**

7.) **Note:** If installing the optional 2" wood members, simply drive nails through the extruded grooves.

8.) Install the wood members in the same manner as described for the metal horizontal members. Refer to **Figs. 6 & 7**

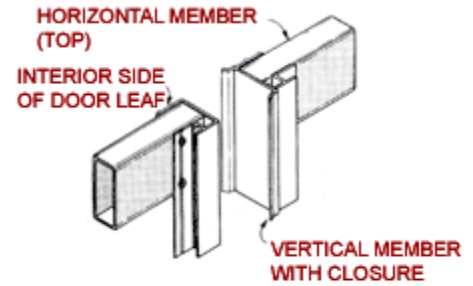


FIGURE 5

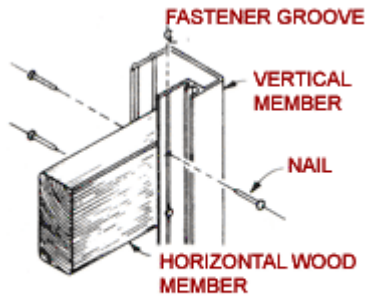


FIGURE 6

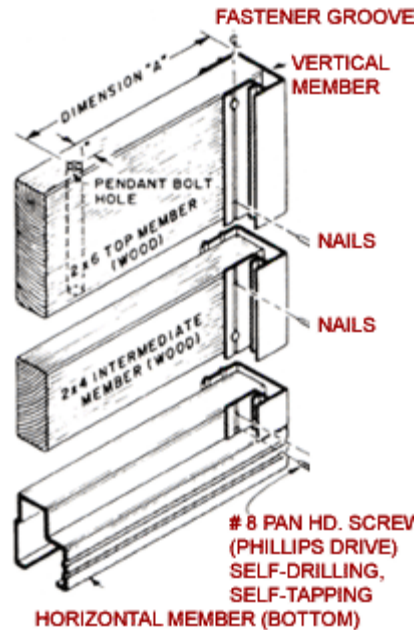


FIGURE 7

9.) Apply sheeting per sheeting manufacturer's recommendations.

10.) When sheeting door, the sheeting tucks between the built-in flashing and trim strip of the vertical members.

TROLLEY MOUNTING INSTRUCTIONS

- 1.) Insert the trolley mounting bolts into the door grid top horizontal.
- 2.) Install the trolleys and adjust the nuts on the pendant bolts until there is approximately one inch between the trolley bolt head and the door grid top horizontal. **Fig 8.**

INSTALL CANNON BALL TRACK PER SPECIFICATION SHEET

- 3.) After hanging doors and adjusting to required height, insert sheet metal screws through the washered nuts into the horizontal member as shown in **Fig. 8.**
- 4.) When using wood horizontals use a nail as shown in **Fig. 9.**
- 5.) Adjust the offset pendant bolts so door hangs flush against side of building.
- 6.) Tighten the split lock nuts on the offset pendant bolts to lock trolleys in operating position.

CENTER MOUNTED SNUGGER

For Wood Horizontals

- 1.) Select a horizontal door member that is at a convenient height.
- 2.) Drill one 9/32" diameter hole in the vertical door member. (See **Fig. 10**).
- 3.) Slip rod support on straight end of snigger rod and properly position assembly to determine proper location of rod support.
- 4.) Fasten rod support with 2 ring nails as shown.
- 5.) Slip the larger link on the end of the chain over the snigger rod and insert snigger rod into the rod support.
- 6.) Secure the opposite end to vertical member using (1) 1/4" fastener and nut as shown. **Fig. 11**
- 7.) Install the second half of the snigger rod in the other door, following the above procedures except that no chain link is put on the rod.
- 8.) Attach the "S" hook to the chain.

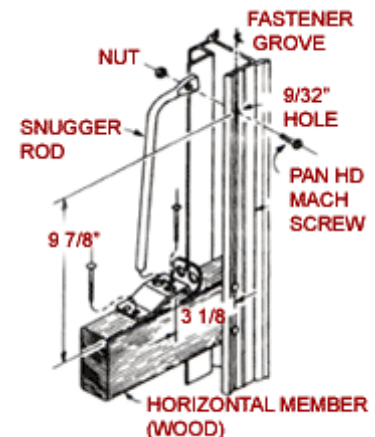
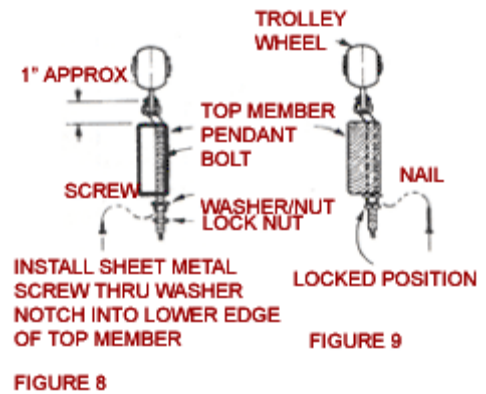


FIGURE 10

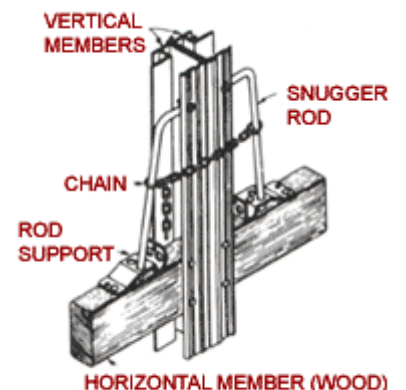


FIGURE 11

9.) To latch the two doors together, merely hook the "S" hook onto the snugger rod as shown.

10.) The more the door rattles, the tighter the latch becomes.

11.) After making certain the "S" hook is in the proper link (latched chain should be about 6" from top of horizontal member), close the "S" hook slightly so it will not become detached from the chain. **Fig. 11**

CENTER MOUNTED SNUGGER

For Metal Horizontals

1.) Select a horizontal door member that is at a convenient height and drill one (1) 17/32" diameter hole as shown.

2.) Next drill one (1) 9/32" diameter hole in the vertical door member. **Fig. 12**

3.) Slip the larger link on the end of the chain over the snugger rod, and insert snugger rod into the 17/32" hole in the horizontal door member.

4.) Secure opposite end of snugger rod to vertical member using one (1) 1/4" fastener and nut. **Fig. 13**

5.) Install the second half of the snugger rod in the other door, following the above procedure except that no chain link is put on the rod.

6.) Attach the "S" hook to the chain.

7.) To latch the two doors together, merely hook the "S" hook onto the snugger rod as shown.

8.) The more the door rattles, the tighter the latch becomes.

9.) After making certain the "S" hook is in the proper link (latched chain should be about 6" from top of horizontal member), close the "S" hook slightly so it will become detached from chain **Fig.13**.

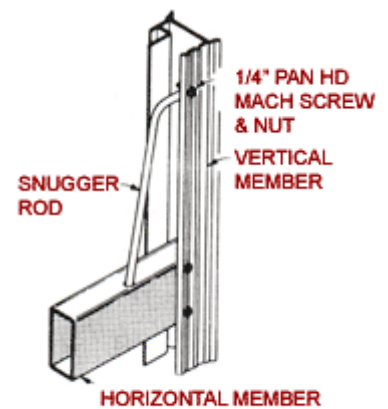


FIGURE 12

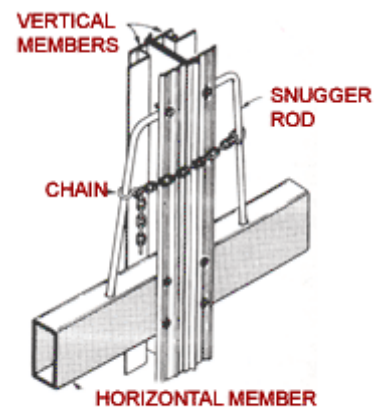


FIGURE 13

SIDE MOUNTED SNUGGER

For Metal Horizontals

- 1.) Select a horizontal door member that is at a convenient height and drill one (1) $17/32$ " diameter hole as shown.
- 2.) Next drill one (1) $9/32$ " diameter hole in the vertical door member. (Refer to **Fig. 14** for hole location.)
- 3.) Insert snugger rod into the hole in the horizontal door member.
- 4.) Secure opposite end of the snugger rod to the vertical member using one (1) $1/4$ " fastener and nut as shown. **Fig.15**.
- 5.) Before installing the second half of the snugger to the face of the door jamb, close the door. (Door must have a center stop, or otherwise held stationary.)
- 6.) Secure rod support "A" to door jamb so as to be level with the horizontal door member as shown in **Fig. 16**. (Rod support fasteners are NOT supplied.)
- 7.) Slip large link on the end of the chain over the rod and insert rod into rod support "A".
- 8.) Put rod support "B" on opposite end of rod.
- 9.) Offset rod support "B" 1.0" from rod support "A" as shown.
- 10.) Secure support "B" to door jamb.
- 11.) After making certain the "S" hook is in the proper link (latched chain should be about 6" from top of horizontal member), close the "S" hook slightly so it will not become detached from chain.

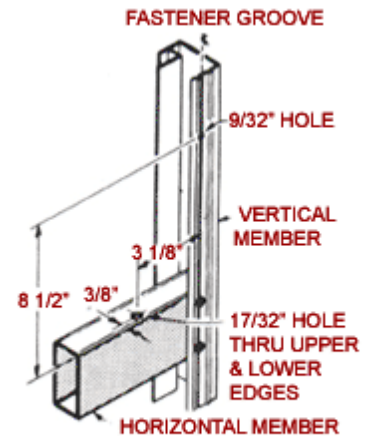


FIGURE 14

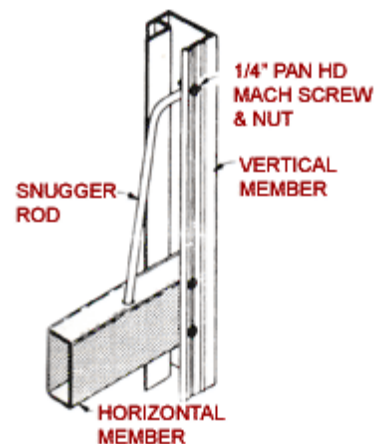


FIGURE 15

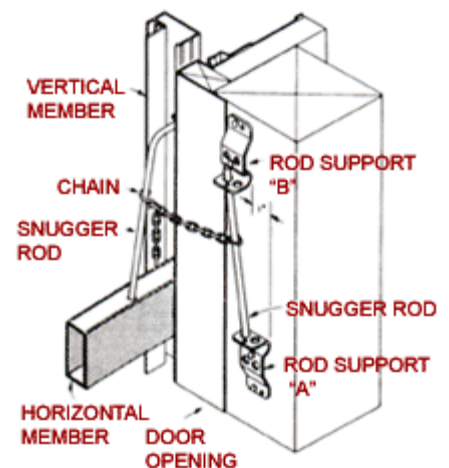


FIGURE 16

SIDE MOUNTED SNUGGER

For Wood Horizontals

- 1.) Select a horizontal door member that is at a convenient height and drill one (1) $9/32$ " diameter hole in the vertical door member.

2.) Refer to **Fig. 17** for hole location.

3.) Slip rod support on straight end of snugger rod and properly position assembly to determine proper location of rod support.

4.) Fasten rod support with 2 ring nails as shown.

5.) Slip the large link on the end of the chain over the snugger rod and insert snugger rod into the rod support.

6.) Secure the opposite end to vertical member using (1) 1/4" fastener and nut as shown **Fig. 17**.

7.) Before installing the second half of the snugger to the face of the door jamb, close the door. (Door must have a center stop, or otherwise held stationary.)

8.) Secure rod support "A" to door jamb so as to be level with the horizontal door member as shown in **Fig. 18** (Rod support fasteners are NOT supplied.)

9.) Slip large link on the end of the chain over the rod and insert rod into rod support "A".

10.) Put rod support "B" on opposite end of rod.

11.) Offset rod support "B" 1.0" from rod support "A" as shown.

12.) Secure support "B" to door jamb.

13.) After making certain the "S" hook is in the proper link (latched chain should be about 6" from top of horizontal member), close the "S" hook slightly so it will not become detached from chain. **Fig. 18**.

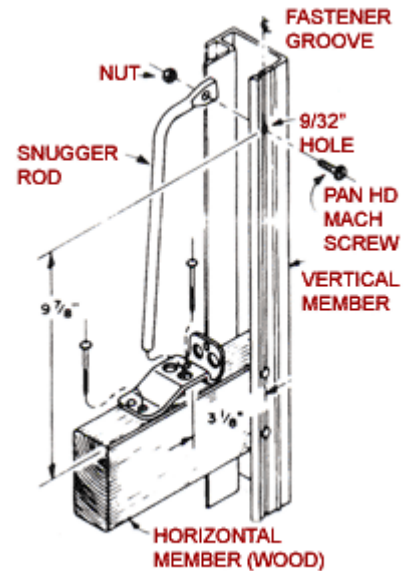


FIGURE 17

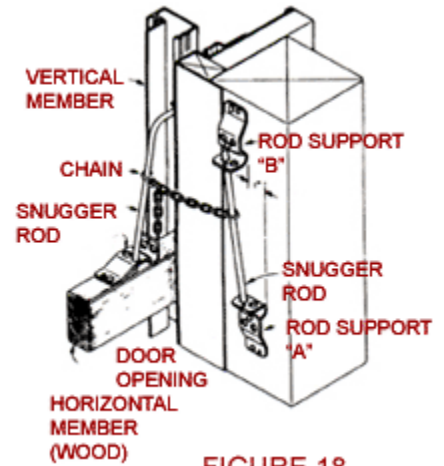


FIGURE 18

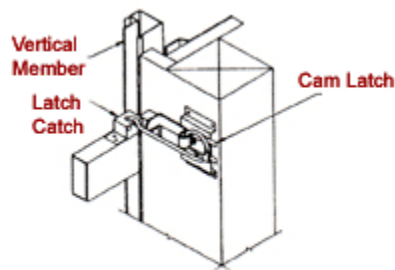


FIGURE 19

SIDE MOUNTED CAM LATCH

For Metal Horizontals

- 1.) Select a horizontal door member that is at a convenient height.
- 2.) Align edge of vertical member with door jamb surface.
- 3.) Mount latch catch with the two legs toward the front of the door.
- 4.) Keep slot for hook in line with hook on latch.
(See Fig. 19)
- 5.) Latch catch should be installed prior to applying steel rib to sliding door frames.
- 6.) Attach main body of latch to door jamb.
- 7.) Keeping latch hook parallel to top of latch catch mounted on the horizontal.
- 8.) With latch handle straight up mount latch with end of hook in hole on the latch catch.
- 9.) Pull handle down toward door to secure door tight to jamb.
- 10.) Cam latch can be mounted either right or left and re-attach the nut. (This needs to be done before mounting to door jamb.)

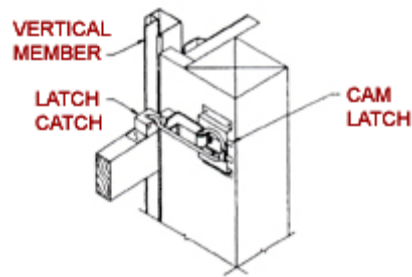


FIGURE 21

SIDE MOUNTED CAM LATCH

For Wood Horizontals

- 1.) Select a horizontal door member that is at a convenient height.
- 2.) Align edge of vertical member with door jamb surface.
- 3.) Mount latch catch with the two legs toward the front of the door.
- 4.) Keep slot for hook in line with hook on latch. (See Fig. 21)
- 5.) Latch Catch should be installed prior to applying steel rib to sliding door frames.
- 6.) Attach main body of latch to door jamb.
- 7.) Keeping latch hook parallel to top of latch catch mounted on the horizontal.
- 8.) With latch handle straight up mount latch with end of hook in hole on the latch catch.
- 9.) Pull handle down toward door to secure door tight to jamb.
- 10.) Cam latch can be mounted either right or left handed, just remove nut and turn hook over and re-attach the nut. (This needs to be done before mounting to door jamb.)

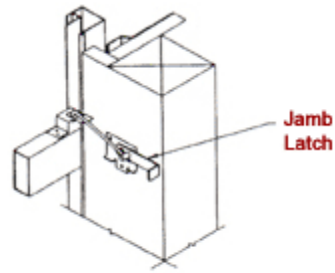


FIGURE 20

SIDE MOUNTED JAMB LATCH

For Metal Horizontals

- 1.) Select a horizontal door member is at a convenient height.
- 2.) Align edge of vertical member with door jamb surface.
- 3.) Mount latch catch with the two legs toward the front of the door.
- 4.) Keep slot for hook in line with hook on latch. (See Fig. 20)
- 5.) Latch catch should be installed prior to applying steel rib to sliding door frames.
- 6.) Attach main body of latch to door jamb, keeping latch hook parallel to top of latch catch mounted on the horizontal.
- 7.) With latch handle straight up or a little toward sliding door, mount latch with end of hook in hole on the latch catch.
- 8.) Pull handle back toward interior of building and down to secure door tight to jamb.
- 9.) Hook is threaded so it can be easily adjusted.
- 10.) Reverse hook on body of latch to change from R.H. or L.H.

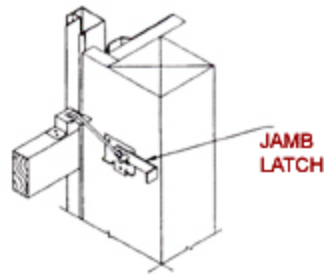


FIGURE 22

SIDE MOUNTED JAMB LATCH

For Wood Horizontals

- 1.)** Select a horizontal door member that is at a convenient height.
- 2.)** Align edge of vertical member with door jamb surface
- 3.)** Mount latch catch with the two legs toward the front of the door.
- 4.)** Keep slot for hook in line with hook on latch. **(See Fig. 22)**
- 5.)** Latch catch should be installed prior to applying steel rib to sliding door frames.
- 6.)** Attach main body of latch to door jamb, keeping latch hook parallel to top of latch catch mounted on the horizontal.
- 7.)** With latch handle straight up or a little toward sliding door, mount latch with end of hook in hole on the latch catch.
- 8.)** Pull handle back toward interior of building and down to secure door tight to jamb.
- 9.)** Hook is threaded so it can be easily adjusted.
- 10.)** Reverse hook on body of latch to change from R.H. or L.H.

